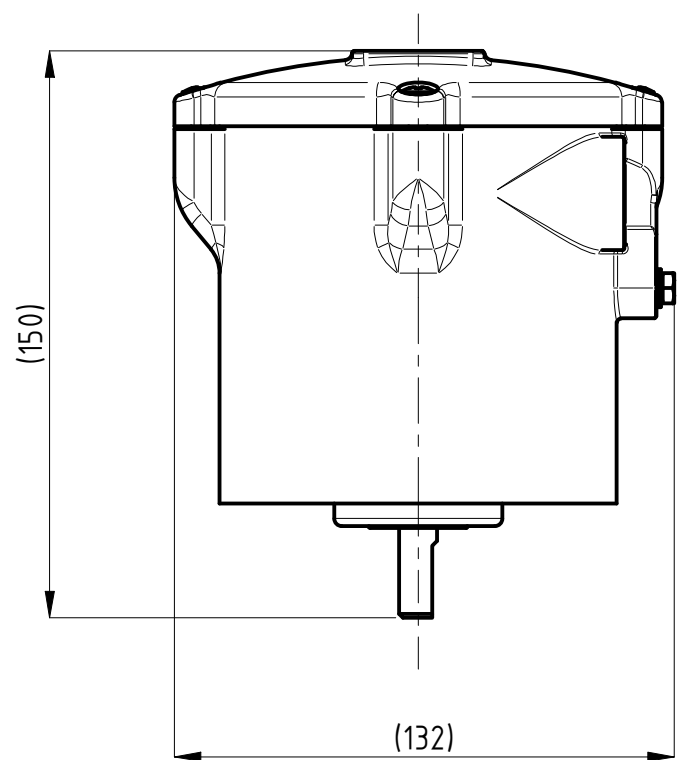
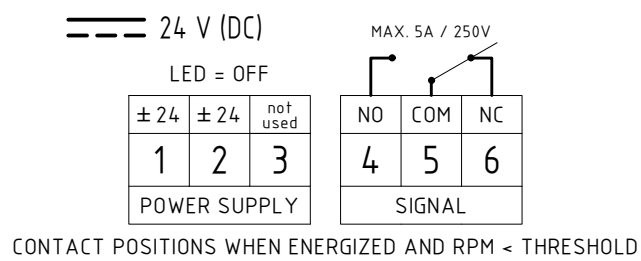
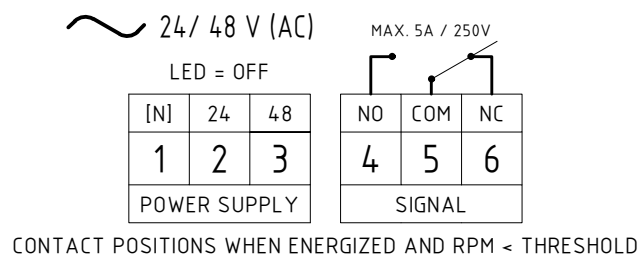
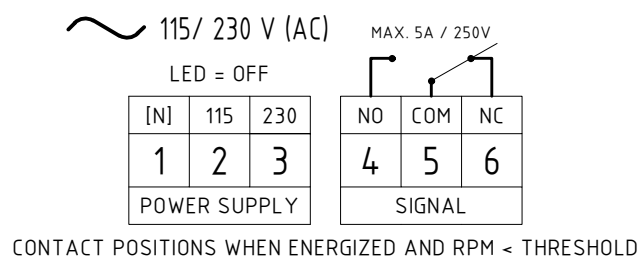
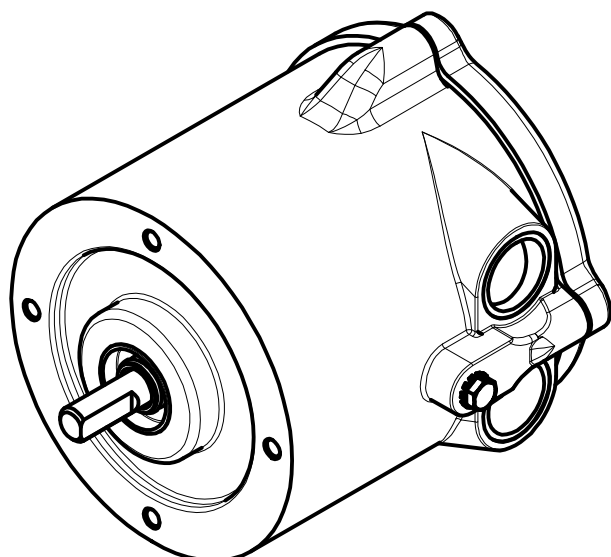


Terminals : screw terminal block (cross-head)
0,13 ... 2,5 mm² / AWG 26... AWG 14



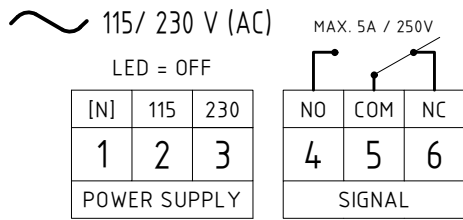
SMD20



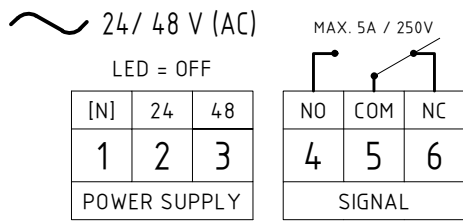
© CAMLogic, 2021
- ALL RIGHTS RESERVED-

| | | | |
|----------------------------------------------------------------------------------------------|----------------------------------------------------------------------------------------------------------------|-------------------------------------------------------------------------------------------------------------------------------------|-------------------------------------------|
| Model | SMD20 | | |
| Weight | 1,5 [kg] | | |
| Power supply | - Bivoltage 115/230[V] (50...60Hz) - 4[W] - Bivoltage 24/48[V] (50...60Hz) - 4[W] - DC 24[V] ±15% - 4[W] | | |
| Signal | SPDT / max. 5[A]-250VAC | | |
| IP grade | IP65 | | |
| Housing | Aluminium (powder coated) | | |
| Connection | 4 x M6 / 90 [mm] | | |
| Ambient temperature | -15 < Ta < +60 [°C] | | |
| Range | 1 ... 2800 [rpm] | | |
| Directives | 2011/65/EU (RoHS) 2014/30/EU (EMC) 2014/34/EU (ATEX) 2014/35/EU (LVD) | | |
| Ex Marking | Ex II 2D Ex tD A21 IP65 T87°C | | |
| © CAMLogic Via dell'Industria 12 42025 Cavriago (RE) - ITALY www.camlogic.it | | DRAWING N. 0602_0019_00 | SHEET: 1 OF 4 REV: 0 |
| GENERAL TOL.: ISO 2768-mH | | UNLESS OTHERWISE SPECIFIED DRAWING FROM CAD SYSTEM - REFER TO 3D MODEL FOR MISSING DIMENSION - NO MANUAL MODIFICATION ALLOWED | SCALE: 1:2 DRAWN NR DATE 02.11.2021 |

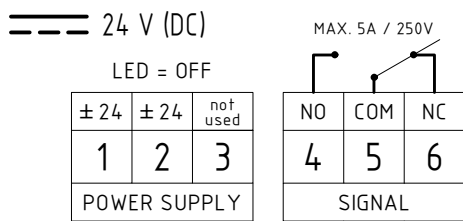
Terminals : screw terminal block (cross-head)
0,13 ... 2,5 mm² / AWG 26... AWG 14



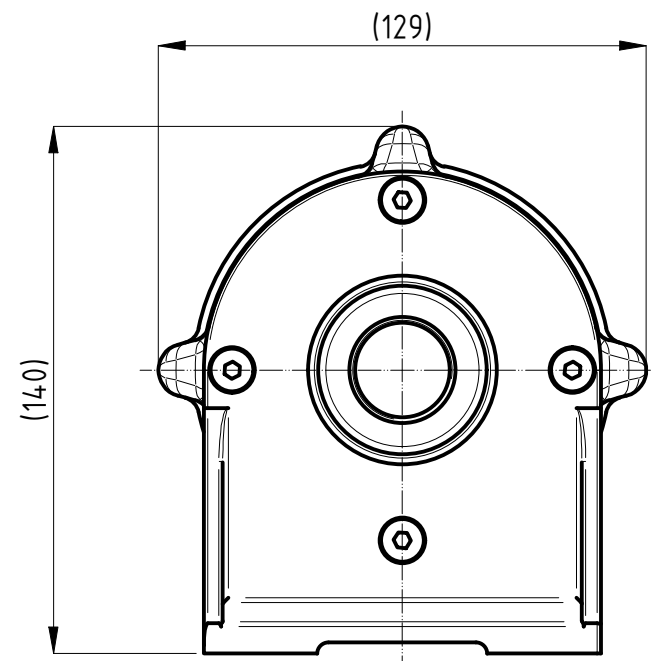
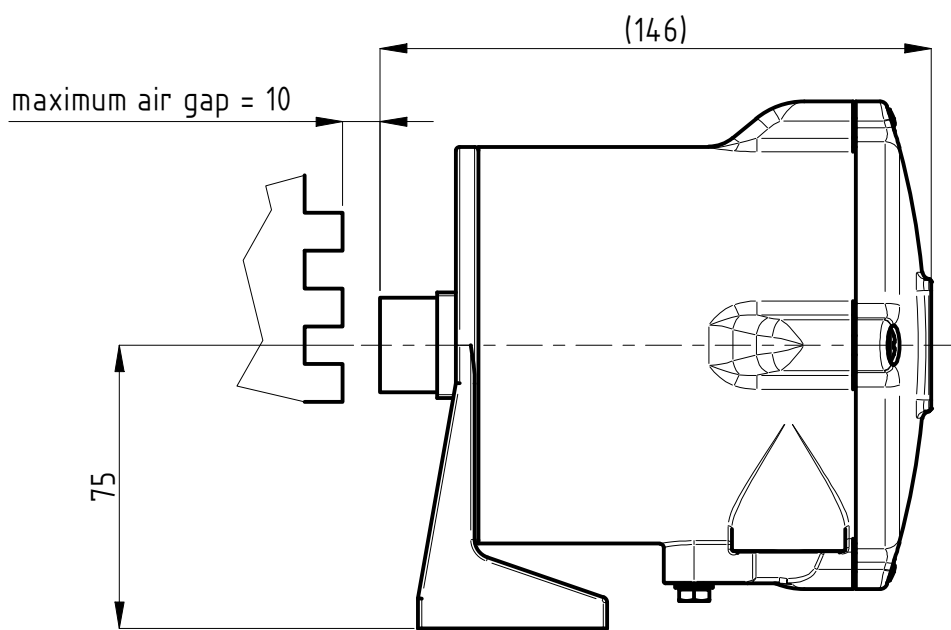
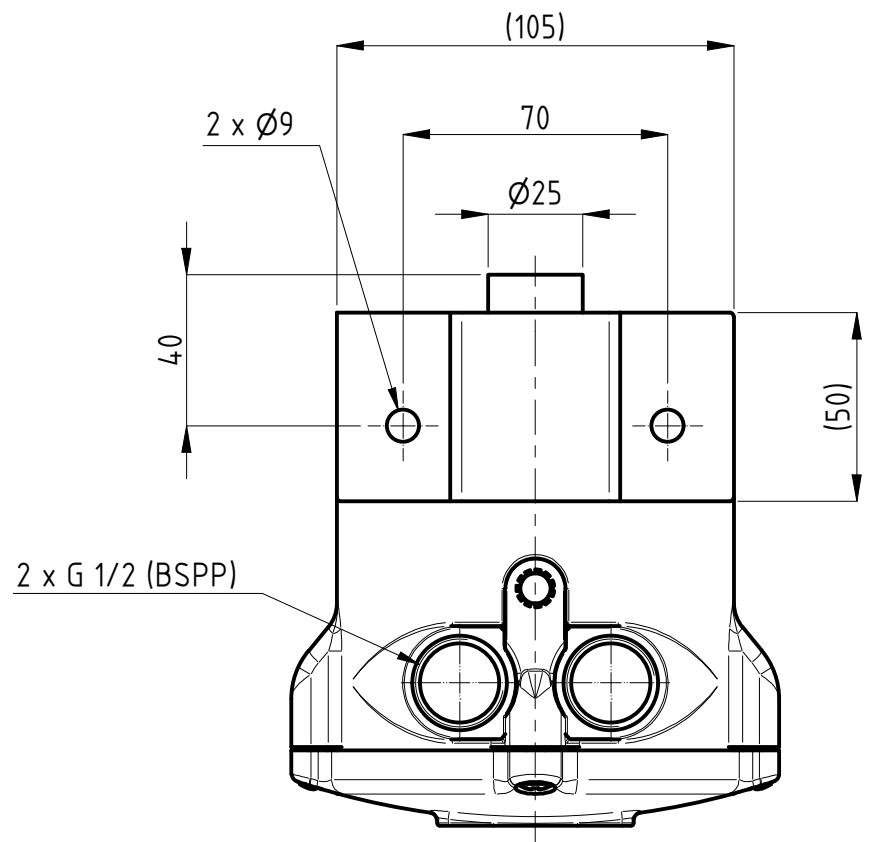
CONTACT POSITIONS WHEN ENERGIZED AND RPM < THRESHOLD



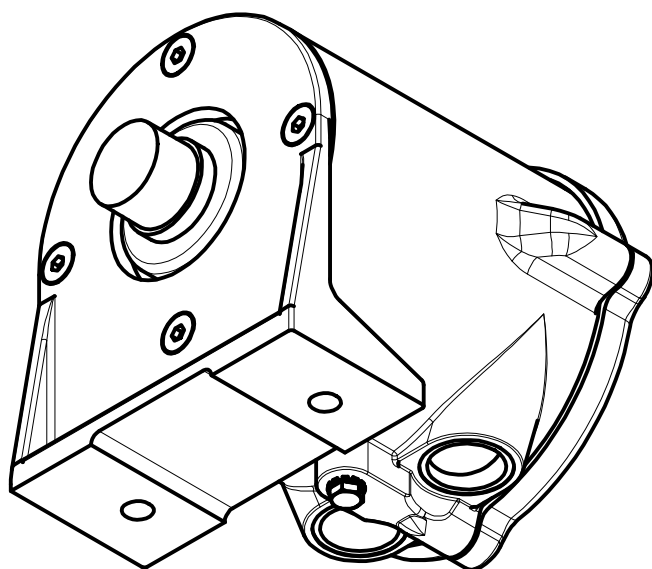
CONTACT POSITIONS WHEN ENERGIZED AND RPM < THRESHOLD



CONTACT POSITIONS WHEN ENERGIZED AND RPM < THRESHOLD



SMD20P

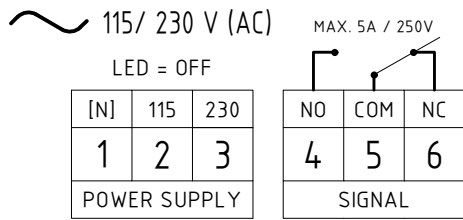


© CAMLogic, 2021
- ALL RIGHTS RESERVED-

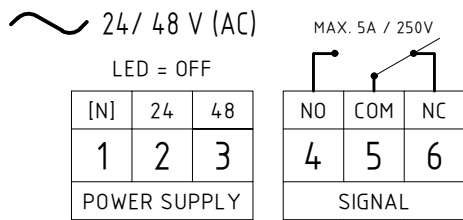
| | |
|---------------------|----------------------------------------------------------------------------------------------------------------|
| Model | SMD20P |
| Weight | 1,6 [kg] |
| Power supply | - Bivoltage 115/230[V] (50...60Hz) - 4[W] - Bivoltage 24/48[V] (50...60Hz) - 4[W] - DC 24[V] ±15% - 4[W] |
| Signal | SPDT / max. 5[A]-250VAC |
| IP grade | IP65 |
| Housing | Aluminium (powder coated) |
| Connection | bracket (aluminum) |
| Ambient temperature | -15 < Ta < +60 [°C] |
| Range | 10 ... 2000 [rpm] (30 ... 6000 pulse/min) |
| Directives | 2011/65/EU (RoHS) 2014/30/EU (EMC) 2014/34/EU (ATEX) 2014/35/EU (LVD) |
| Ex Marking | Ex II 2D Ex tD A21 IP65 T87°C |

| | | | |
|----------------------------------------------------------------------------------------------------|-----------------------------------------------------|--------------|------------|
| ® CAMLogic Via dell'Industria 12 42025 Cavriago (RE) - ITALY www.camlogic.it | CAMLOGIC ® | DRAWING N. | SHEET: |
| | | 0602_0019_00 | 2 OF 4 |
| GENERAL TOL.: ISO 2768-mH | UNLESS OTHERWISE SPECIFIED DIMENSION ARE IN [mm] | SCALE: 1:2 | REV: 0 |
| DRAWING FROM CAD SYSTEM - REFER TO 3D MODEL FOR MISSING DIMENSION - NO MANUAL MODIFICATION ALLOWED | | DATE | 02.11.2021 |

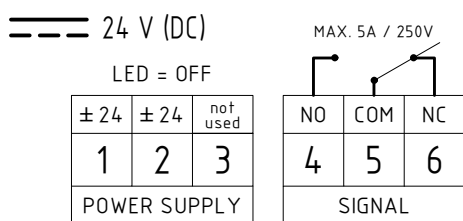
Terminals : screw terminal block (cross-head)
0,13 ... 2,5 mm² / AWG 26... AWG 14



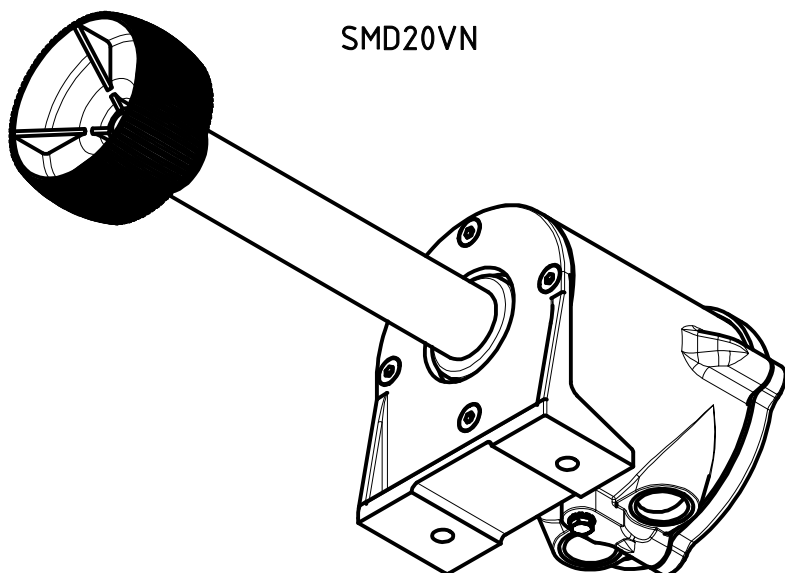
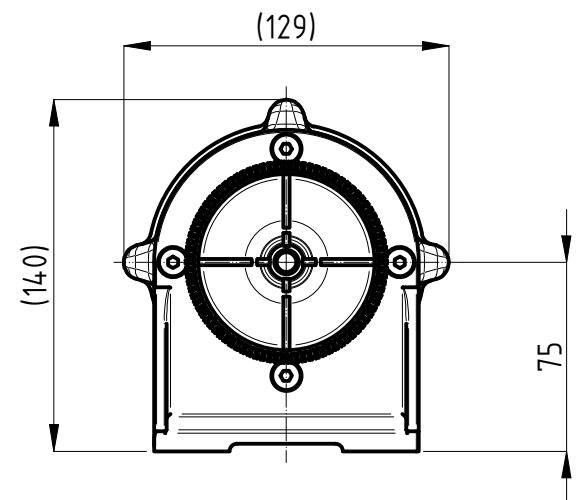
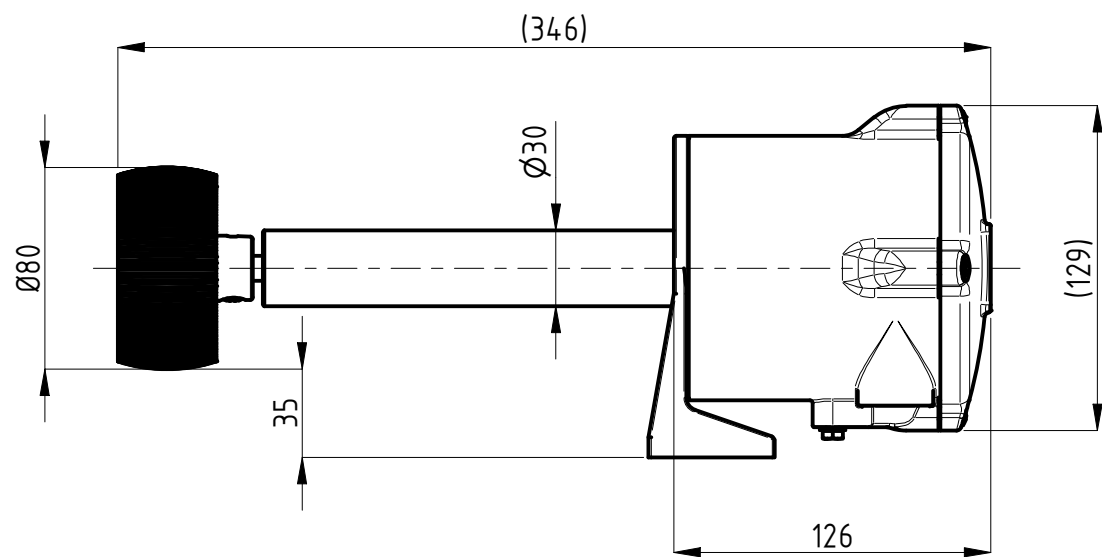
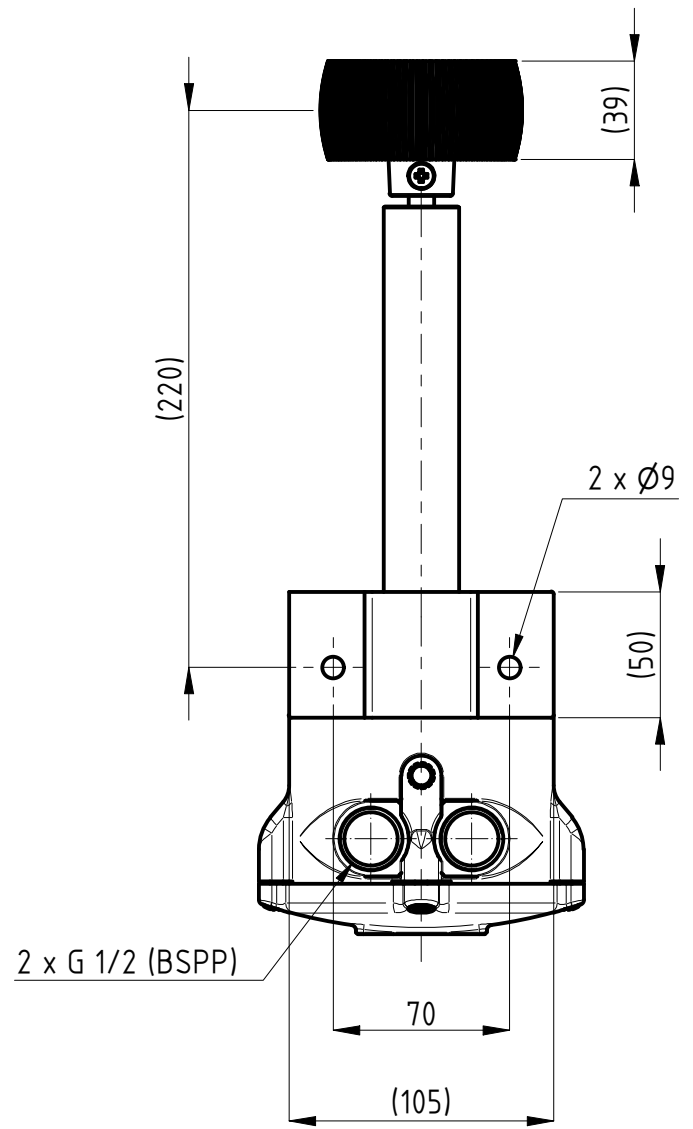
CONTACT POSITIONS WHEN ENERGIZED AND RPM < THRESHOLD



CONTACT POSITIONS WHEN ENERGIZED AND RPM < THRESHOLD



CONTACT POSITIONS WHEN ENERGIZED AND RPM < THRESHOLD



SMD20VN

| | |
|---------------------|----------------------------------------------------------------------------------------------------------------|
| Model | SMD20VN |
| Weight | 1,6 [kg] |
| Power supply | - Bivoltage 115/230[V] (50...60Hz) - 4[W] - Bivoltage 24/48[V] (50...60Hz) - 4[W] - DC 24[V] ±15% - 4[W] |
| Signal | SPDT / max. 5[A]-250VAC |
| IP grade | IP65 |
| Housing | Aluminium (powder coated) |
| Connection | bracket (aluminum) |
| Ambient temperature | -15 < Ta < +60 [°C] |
| Range | 0,5 ... 900 [mm/s] |
| Directives | 2011/65/EU (RoHS) 2014/30/EU (EMC) 2014/34/EU (ATEX) 2014/35/EU (LVD) |
| Ex Marking | Ex II 2D Ex tD A21 IP65 T87°C |

© CAMLogic, 2021
- ALL RIGHTS RESERVED-

® CAMLogic
Via dell'Industria 12
42025 Cavriago (RE) - ITALY
www.camlogic.it

CAMLOGIC®

DRAWING N.
0602_0019_00

SHEET:
3 OF 4

GENERAL TOL.: ISO 2768-mH

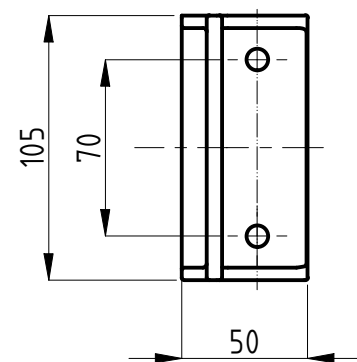
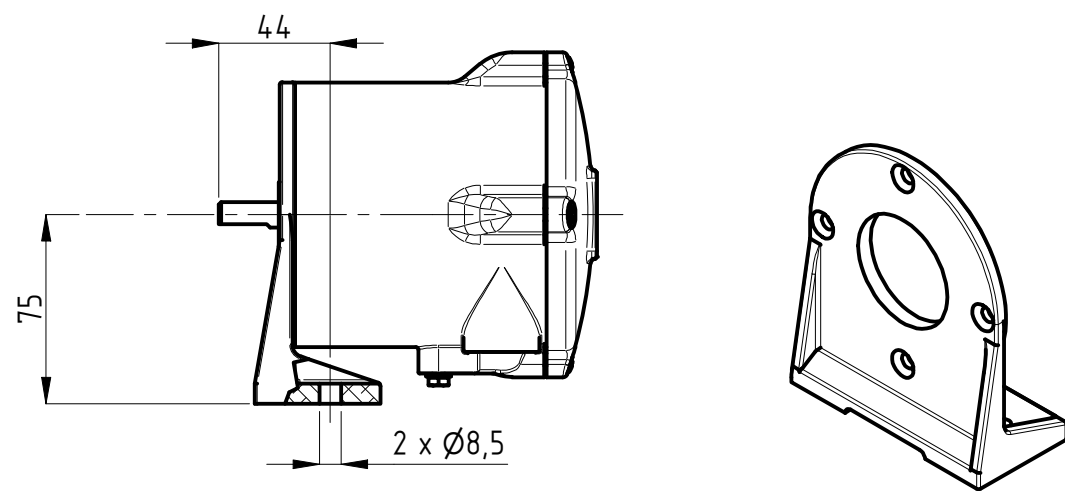
UNLESS OTHERWISE SPECIFIED
DRAWING FROM CAD SYSTEM - REFER TO 3D MODEL FOR
MISSING DIMENSION - NO MANUAL MODIFICATION ALLOWED

SCALE: 1:3

DRAWN NR
DATE 02.11.2021

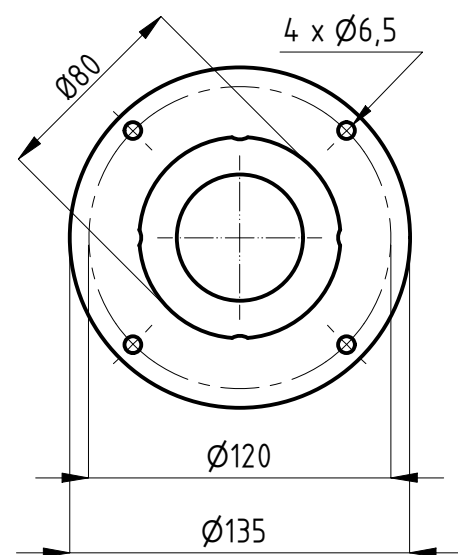
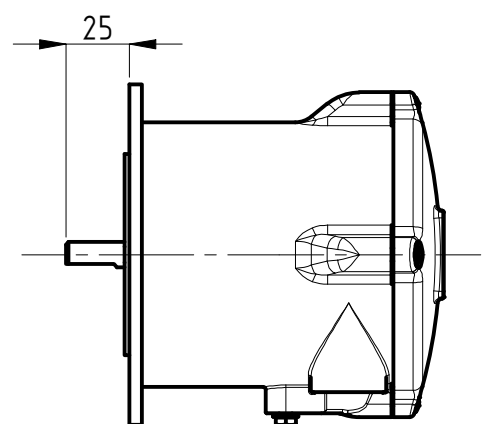
SIZE UNI A3

OPTIONS



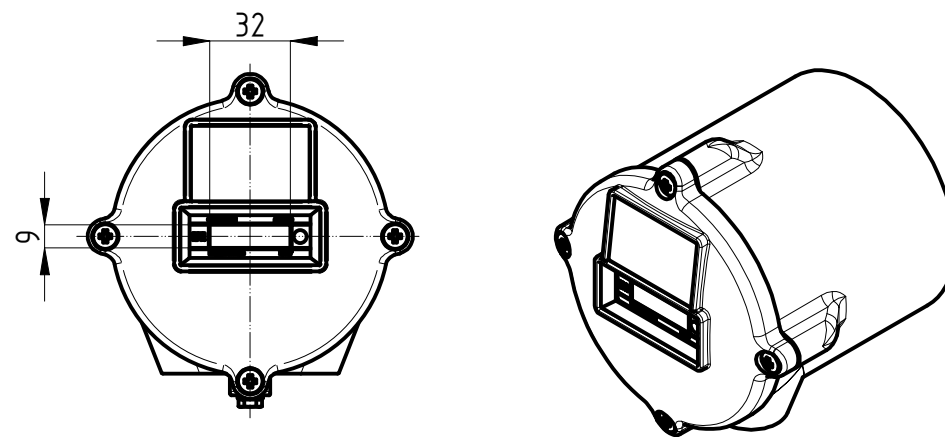
BRACKET

Made in die-cast aluminium.
2 fixing holes Ø8,5, distance 70mm

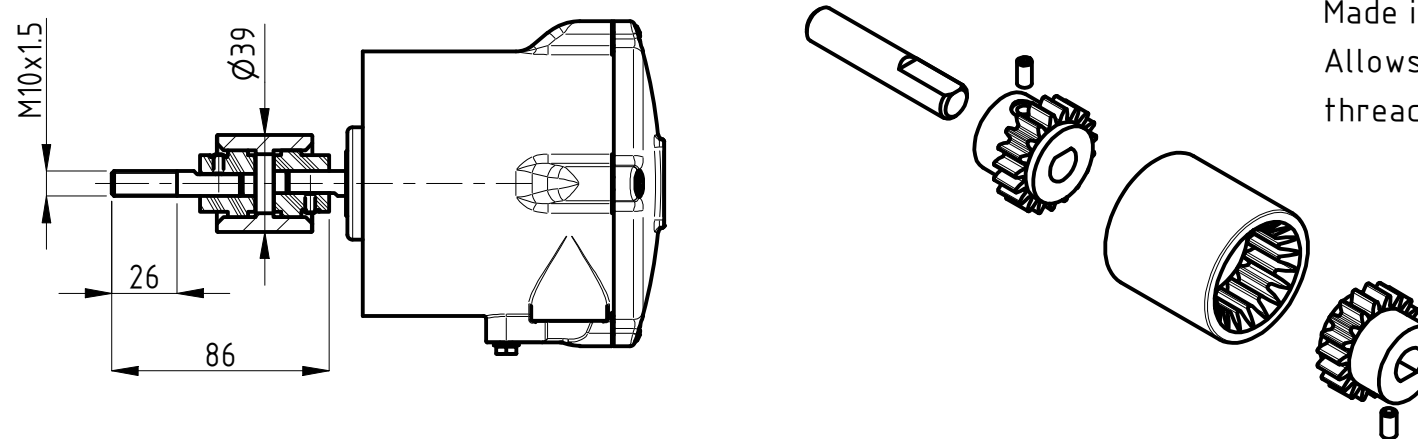


FLANGE

Made in die-cast aluminium.
4 fixing holes Ø6,5 on 80mm diameter

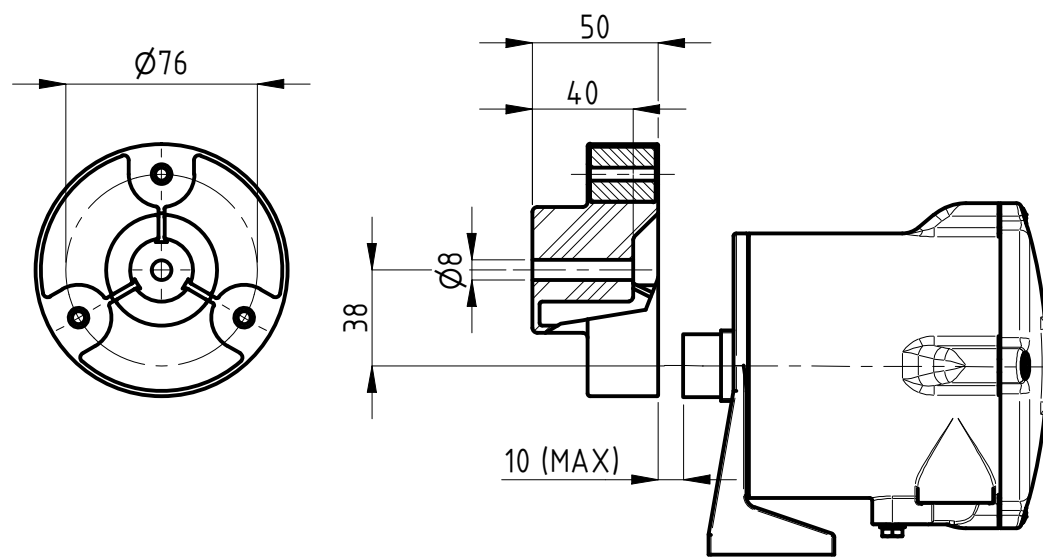


EXTERNAL DISPLAY
Allows the visualization of the [rpm] detected by the instrument.
Not available for SMD20/P nor SMD20/VN.



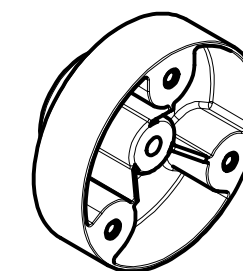
CONNECTION JOINT

Made in polyamide.
Allows connection via M10 threaded hole.



FERROMAGNETIC ACTUATOR

Made in polyamide with iron inserts. Only for SMD20/P.
To be fixed on the axis to be controlled.



© CAMLogic, 2021
- ALL RIGHTS RESERVED -

© CAMLogic
Via dell'Industria 12
42025 Cavriago (RE) - ITALY
www.camlogic.it

CAMLOGIC

DRAWING N.
0602_019_0

SHEET:
4 OF 4

REV: 0

GENERAL TOL.: ISO 2768-mH

UNLESS OTHERWISE SPECIFIED
DIMENSION ARE IN (mm)

DRAWING FROM CAD SYSTEM - REFER TO 3D MODEL FOR
MISSING DIMENSION - NO MANUAL MODIFICATION ALLOWED

SCALE: 1:3

DRAWN NR
DATE 19.10.2021

SIZE UNI A3